



Jema Autolifte A/S
we are here to surprise!



Instruction manual

Foldable engine crane JA1060EC

Please read these instructions carefully to ensure the safety and effective use of this tool.

SAFETY INSTRUCTIONS

READ THESE INSTRUCTIONS CAREFULLY AND NOTE THE SAFETY INSTRUCTIONS AND WARNINGS. USE THE APPLIANCE CORRECTLY AND WITH CARE FOR THE PURPOSE FOR WHICH IT IS INTENDED. FAILURE TO DO SO MAY CAUSE DAMAGE TO PROPERTY AND/OR SERIOUS PERSONAL INJURY. KEEP THIS INSTRUCTION MANUAL SAFE FOR FUTURE USE.

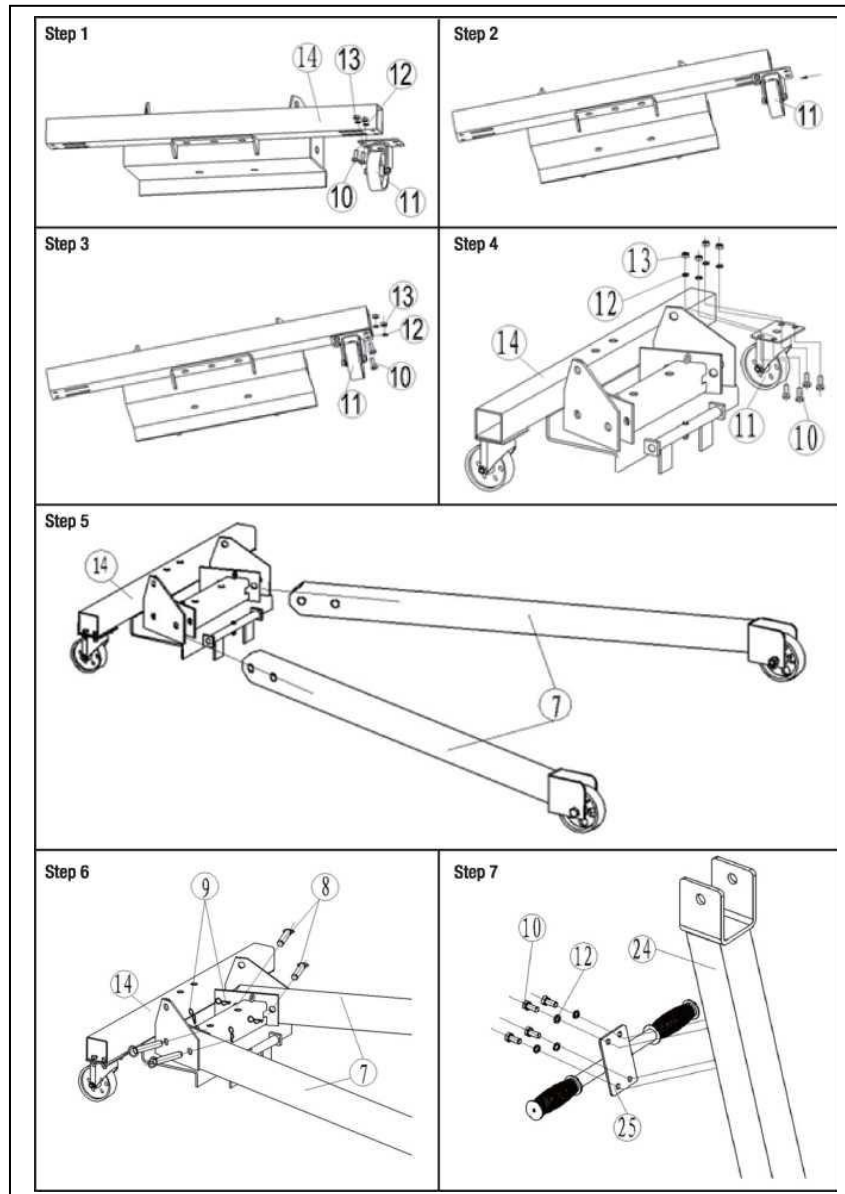
- This appliance can be used by persons with reduced physical, sensory or mental capabilities or lack of experience and knowledge if they have been given supervision or instruction concerning use of the appliance in a safe way and understand the hazards involved. Children shall not play with the appliance.
- Before each use, ensure that all nuts and bolts are correctly fitted and tight.
- Before use, bleed the hand pump.
- Do not modify the engine crane in any way.
- Do not operate the engine crane when you are tired, under the influence of alcohol, drugs or intoxicating medication.
- Keep children and unauthorized people away from the work area.
- Keep the work area clean and tidy.
- Make sure the legs and main post are locked into position before use.
- Make sure you are aware of any other people near you when you are using the engine crane.
- The engine crane is a lifting and lowering device only and is not intended for transporting items.
- The engine crane is intended for use by qualified persons who are familiar with its use.
- The nuts and bolts used in the construction of this engine crane are all high strength. They should not be replaced with any that are inferior.
- Use only on a level and firm surface. Do not use on tarmac or soft surfaces.
- Always make sure the centre of gravity remains inside the engine crane base.
- Do not allow the load to drop suddenly. Open the valve slowly.
- Do not allow yourself or anyone else to be under the load.
- Do not overload.
- Do not harness the load at an angle or allow it to swing when it is lifted.
- Do not overreach.
- Do not climb or stand on the engine crane.**
- Ensure the surface you are lowering the load onto is level and can withstand the weight.
- Refill with hydraulic oil, making sure no dirt gets into the hydraulic system.
- Stay alert at all times.
- Do not allow the engine crane to get wet or remain in a damp environment.
- Store the engine crane in a secure dry place out of the reach of children.
- When not in use, release the pressure from the pump.

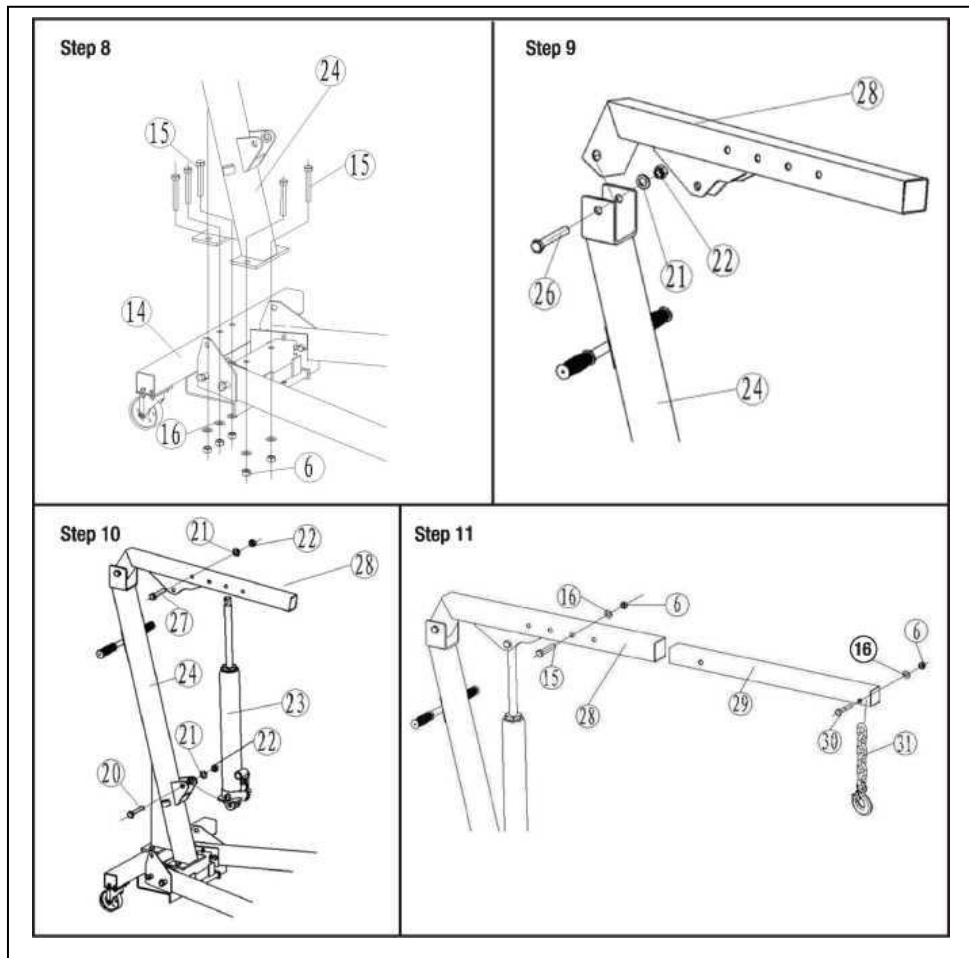
TECHNICAL DATA

Model no. JA1060EC
Max. Capacity: 1000 kg
Max. lift: 2100 mm

This product fulfils the requirements of quality class HA ISO 2807.

TECHNICAL DATA





1. Attach the casters (11) to the base (14) with bolts (10), washers (12) and nuts (13) without tightening the nuts.
2. Slide the caster (11) which is connected to the base (14) along with the long holes.
3. Slide the caster to the position that the holes of the caster is aligned with the holes of the base, then fix the casters (11) to the base with bolts (10), washers (12) and nuts (13). Tighten all the four nuts.
4. Connect another caster (11) on the base (14) with bolts (10), washers (12) and nuts (13). Tighten all the four nuts.
5. Slide the legs (7) into front of the base (14).
6. Lock the legs (7) in place using the frame pins (8). To insert the frame pins, lift up on front of base (14) until holes line up. After all four frame pins are insert, insert one splint pin (9) through the small hole at end of each frame pin until it snaps into place.
7. Use four bolts (10) and washers (12) to fasten the handle (25) to the post (24).
8. Use the bolts (15), washers (16), and nuts (6) to secure the bottom of the post (24) to the base (14).
9. Use the bolt (26), washer (21) and nut (22) to attach the boom (28) to the top of the post (24).
10. Use a bolt (20), washer (21) and nut (22) to attach lower end of the hydraulic pump unit (23) to the post (24) and another bolt (27), washer (21) and nut (22) to attach the top of the hydraulic pump unit to the boom (28).
11. Slide the boom extension (29) into the boom (28) and use the bolt (15), washer (16) and nut (6) to secure at the desired load rating. Use the bolt (30), washer (16) and nut (6) to attach the chain with hook (31) to the end of the boom Extension.
12. Note: The boom has four different load ratings; select the desired rating before use.

OPERATION

ATTENTION!

The workshop crane is only intended for lifting, not for bearing or transporting loads. Never overload the appliance.

IMPORTANT!

Air in the hydraulic system can impair performance. If necessary, bleed the system by opening the relief valve fully. This is done by turning the handle clockwise, pressing the arm down and pumping rapidly several times with the pump handle.

LIFTING

Close the relief valve by turning the handle clockwise until it resists. Do not overtighten.

Open the relief valve by turning the handle anti-clockwise very slowly. You can regulate the lowering speed by turning the handle.

MAINTENANCE AND STORAGE

IMPORTANT! When adding or replacing oil, always use a good grade hydraulic jack oil such as Shell Tellus 22.

Avoid mixing different types of oil. Do not use brake fluid, alcohol, ne, detergent, motor oil or dirty oil.

Improper fluid can cause serious internal damage to long ram. When adding oil, be very careful not to permit dirt or other foreign matter to get into the system.

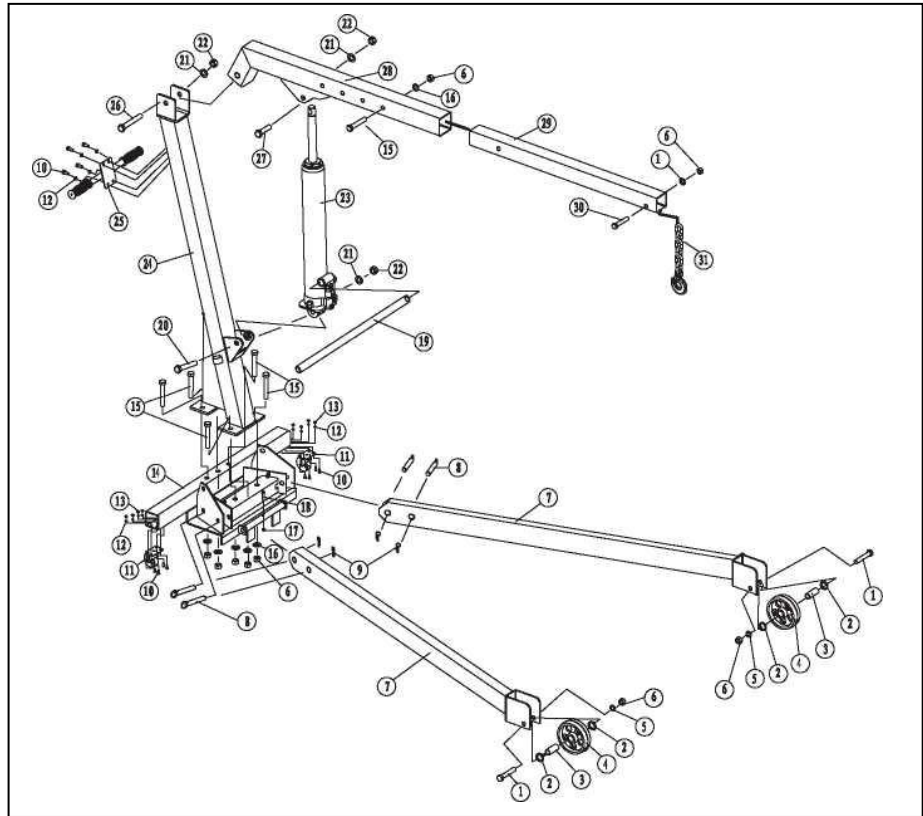
Check ram and plunger every three months for any signs of rust or corrosion. Clean as needed and wipe with an oily cloth.

When not using the long ram, always leave the arm in the fully lowered position. ATTENTION: Always insert and tighten the screw and nut in the base before folding the legs up to the storage position, as there is otherwise a risk of the product tipping.

TROUBLE SHOOTING

Problem	Cause	Solution
Will not hold load.	Dirt on valve seats.	1. Lower lifting boom. Close the release valve and remove oil filler plug. 2. Place one foot on the leg and pull up the lifting boom to its full height by hand. 3. Open the release valve to lower the lifting boom. 4. Worn seals.
Will not lift load. Will not lift to its full height. Pump feels unsteady under load. Pump will not lower completely.	Air block.	1. Open the release valve and remove oil filler plug. 2. Pump handle a couple of full strokes and close the release valve.
Pump will not lift to its full height. Pump feels unsteady under load.	The reservoir could be overfilled. Low hydraulic oil level.	Check the oil level. Remove the filler plug. Top up oil to correct level.
Pump feels unsteady under load.	The pump cup seal could be worn out.	Replace cup seal with a new one.
Will not lower completely.	Air block. Unit requires lubrication.	Release air from hydraulic pump by removing filler plug. Oil external moving parts.

No	Description	QTY
23	Ram unit 3ton	1
24	Main support post	1
25	Handle	1
26	BoltM16x110	1
27	Bolt M16x65	1
28	Boom	1
29	Boom extension	1
30	Bolt M14x75 ⁶	1
31	Chain with hook	1
No	Description	QTY
12	Spring washer 8	12
13	Nut M8	8
14	Base assembly	1
15	Bolt M14x90	6
16	Washer 14	6
17	Nut M6	1
18	Bolt M6x30	1
19	Pump handle	1
20	Bolt M16x90	1
21	Washer 16	3
22	Nut M16	3
No	Description	QTY
1	Bolt M14x80	2
2	Ring	4
3	Bushing	2
4	Front wheel	2
5	Spring washer 14	2
6	Nut M14	9
7	Front leg	2
8	Frame pin	4
9	Splint pin	4
10	Bolt M8x20	12
11	Swivel caster	2



PART LIST / DECLARATION OF CONFORMITY

Model : **JA1060EC**

Foldable engine crane 1 Tons

Declares under sole responsibility that the product to which this declaration relates is in conformity with the following standard(3)or other normative document(3):

EN 1494: 2000+A1/2008 EN ISO 12100: 2010 EN ISO 13857: 2008 EN 349:1993+A1/2008

Following the provisions of Directive(s)

Machinery Directive:

2006/42/EC

Bischoffsheim, 28/02/2013

P. Wyss

Patrick Wyss President

WARRANTY

We do not take responsibility for any damage caused by misuse or any use that is not in compliance with the safety standards described herein.

Customer services

Contact your local importer or your specialized dealer to obtain address of your service department.