

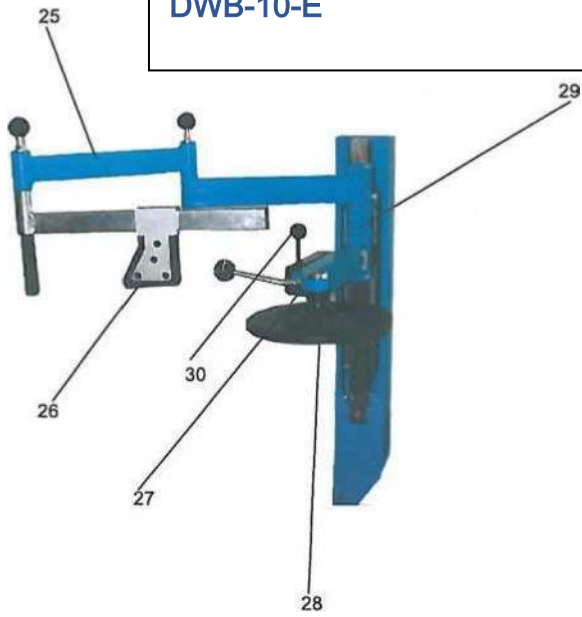
Euro line

Tyre Changer helpingarm

DWB-10-E



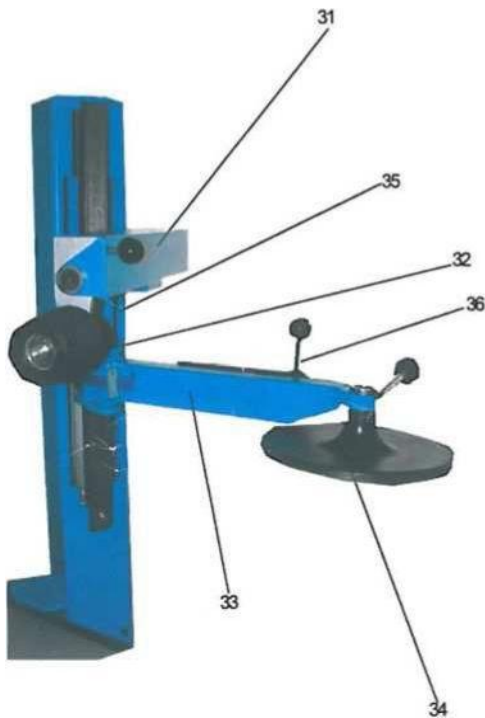
Jema Autolifte A/S
we are here to surprise!



CE

LEFT COLUMNS 10.00.00

- 25. PUSHER UNIT - 04.00.00
- 26. TYRE SIDEWALL PUSHER - 05.00.00
- 27. DISC ROLLER UNIT - 11.00.00
- 28. DISC ROLLER - 02.03.00
- 29. SLIDE UNIT - 09.00.00
- 30. DISTRIBUTOR ARM HANDLE - 02.00.06



RIGHT COLUMN 03.00.00

- 31. PUSHING ROLLER UNIT - 06.00.00
- 32. PUSHING ROLLER - 06.01.00
- 33. DISC ROLLER UNIT - 02.00.00
- 34. DISC ROLLER - 02.03.00
- 35. SLIDE UNIT - 01.00.00
- 36. DISTRIBUTOR ARM HANDLE - 02.00.06

DEMOUNTING WITH HELPER DWB-10-E

Use the **pusher 26** for demounting hard sidewall tyres. Place the pusher in the central point of the rim and push it down to clamp the rim in the table jaws. Place **pushing roller 32** 1 cm from the edge of the rim. Push the tyre sidewall down to ease the lever entrance. Move the **roller 32** aside. Place **disc roller 28 or 34** by the rim and start lifting to pull easily the tyre on the mounting head.



a



b



c

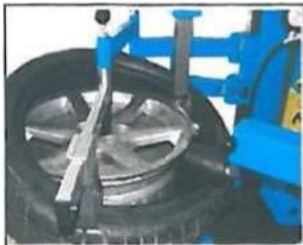


d

Rysunek 16

MOUNTING WITH HELPER KK

Place the **pushing roller 32** and **tyre sidewall pusher 26** as it shown on fig.17. Start to push so the tyre bead remain in rim recess. During the mounting **pusher 26** should be following the tyre rotating movement. After moving pusher and roller a side release the wheel and start tyre inflating.



a



b



c